



ROAD TRIP

DRIVE-IN MOVIE

FISHING

BEACH DAY

CROSS IT ALL OFF.

DRIVE-THROUGH

PICNIC



THE ALL-NEW SUZUKI  
**S-CROSS**



# ***STRONG. SHARP. STATEMENT.***

Whatever's on your to-do list, the bold, stylish S-Cross will help you take them all on—and cross them all off. Aggressively styled and exuding coolness, this muscular SUV is confidently powerful in both looks and performance—and guaranteed to leave a long, lasting impression anywhere it goes.







## **STYLISTED FRONT GRILLE**

Imposing and impressive, the piano-black front grille ensures the S-Cross stands out from the crowd. The front emblem is emblazoned on a chrome-finish bar, coming together to assert the SUV's strong, distinctive style.



## **FRONT AND REAR LED LAMPS**

Lighting the way, the headlamps and rear combination lamps each feature three LED position lamps that bolster the unshakably striking looks of the S-Cross. The front position lamps also function as daytime running lights.



## **RUGGEDLY BOLD**

When it comes to looks, the S-Cross is big and confident where it counts—including its rims. And for added character, bold silver garnishes adorn the front face and rear bumper—delivering a strong first and lasting impression, anywhere it goes.



# COMFORTABLE COMMAND CENTRE

Quality, comfort, and everything else you could ask. Inside its incredibly spacious interior, the S-Cross offers all the information you need in real-time, thanks to its 9-inch display.







### 1. SPACIOUS CABIN

Cool on the outside, comfy on the inside, the S-Cross is spacious, versatile, and packed with a suite of premium features designed to elevate your experience, such as 60:40 folding seats that allow you to adjust the space for maximum convenience.

### 2. FRONT CENTRE ARMREST

The central armrest is in just the right place for the driver to place their forearm while they drive. And with two cup holders, both the driver and front passenger can have easy access to a beverage on the go.

### 3. DISPLAY AUDIO

The large 9-inch HD display provides you with all the information you need—from driving range and fuel economy to warnings on the road—in real-time.



# PREPARED FOR ANYTHING, ANYWHERE

When you want to cross more things off life's to-do list, there's no better driving companion than the S-Cross. Comfort, function, and style come together in one versatile SUV that gets you to wherever you want to be. Get ready for your most memorable journeys yet—and the chance to cross off even more.



## OVERHEAD CONSOLE

Map lamps + Sunglasses holder



## FLEXIBLE LUGGAGE SPACE

Up to 440L capacity



## SPACIOUS LEG ROOM

Kick back, relax, and enjoy



## RECLINABLE REAR SEATS

60:40 split rear seats





# EFFICIENT AND ALL-POWERFUL

With a 1.4L direct-injection BOOSTERJET engine, the S-Cross delivers impressive power and torque every time, while allowing you to always be in control. Together with the Smart Hybrid Vehicle by Suzuki (SHVS), the S-Cross offers exceptional fuel efficiency, so you can go further than you ever imagined.



## 6-Speed Auto Transmission

The wide gear ratios deliver excellent acceleration—even from a standing start. They also help with providing more power, deliver quieter, more relaxing drives, reduce wear on the engine, and with overall fuel economy.



## Paddle Shifters

Shifting gears has never been this easy. Upshift, downshift, and even shift to manual without needing to take your hands off the steering wheel. On top of safer, swifter, and more convenient gear changes, you'll find more control over them too. All to guarantee a fun and spirited drive—every time!



## Smart Hybrid Vehicle by Suzuki

With this integrated mild hybrid system, you'll enjoy cost and fuel savings, as well as going further. Utilising regenerated energy from deceleration, it reduces fuel consumption while aiding engine torque—delivering a boost to driving performance and lower emissions.



HYBRID

1.4L  
BOOSTERJET  
ENGINE



Images for illustration purposes only.



# SAFE IN ANY SITUATION

The S-Cross comes with a 360° view camera, giving you the assurance of seeing your surroundings while driving or parking. The S-Cross also comes with Suzuki Safety Support—a range of advanced features including Blind Spot Monitor, Lane Departure Warning, Weaving Alert, and more.



\*There is a limit to the ability of cameras and sensors to detect obstacles, lanes, and traffic signs. Please do not rely on this system alone. Always drive safely. Vehicle-to-vehicle distance varies depending on vehicle speed.



## 360 View Camera

The 360° view provides added safety and convenience. It uses four cameras (front, rear, and both sides) to offer a variety of views—including 3D for safe starts, and top view, giving you the assurance of seeing your surroundings while driving or parking.



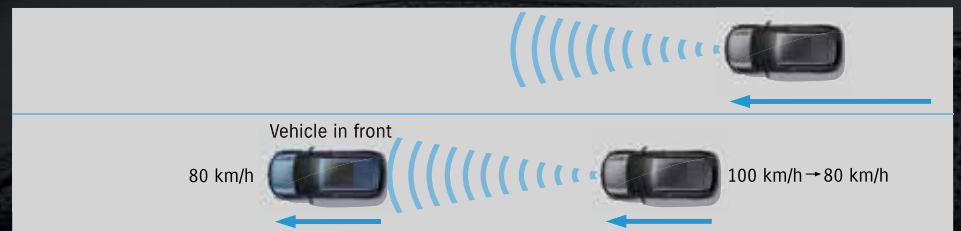
## Lane Departure Warning

When driving at 60km/h or faster, the monocular camera detects the left and right white lane markers. It will alert the driver with an audio warning and indicator light when it determines the vehicle has strayed out of its lane.



## Weaving Alert

At 60km/h or faster, the weaving alert function will calculate your driving pattern on the go, issuing audio and visual warnings if it determines your vehicle is straying out of the road lanes.



## Adaptive Cruise Control

By automatically adjusting your vehicle's speed to keep a constant preset distance from the vehicle ahead, the Adaptive Cruise Control function helps make driving a more seamless, safer experience for you.



# COOL LOOKS FOR CROSSING OFF BUCKET LISTS

---



**COSMIC BLACK PEARL METALLIC**  
(ZCE)



**COOL WHITE PEARL**  
(ZNL)



**ENERGETIC RED PEARL**  
(ZQ5)



**CANYON BROWN PEARL METALLIC**  
(ZQ3)



**SPHERE BLUE PEARL**  
(ZQ4)



**TITAN DARK GREY PEARL METALLIC**  
(ZZZ)



**SILKY SILVER METALLIC**  
(ZCC)



# SPECIFICATIONS

## DIMENSIONS & WEIGHT

Overall Length / Width / Height	4305 mm / 1785 mm / 1585 mm
Wheelbase	2600 mm
Min. Turning Radius	5.4 m
Kerb Weight	1,240 kg
Ground Clearance	175mm
Luggage Capacity	440L

## ENGINE & TRANSMISSION

Engine Type	1.4L BOOSTERJET + Smart Hybrid Vehicle by Suzuki (SHVS)
Capacity	1373cc
Max output	95 kW (127Bhp)/ 5500 RPM
Max torque	235 Nm / 2000-3000 RPM
Transmission	6-speeds Automatic

## FUEL CONSUMPTION

Fuel Tank Capacity	47 litres
Combined	5.7L/100km (17.5km/L)
VES Banding	B

## PERFORMANCE

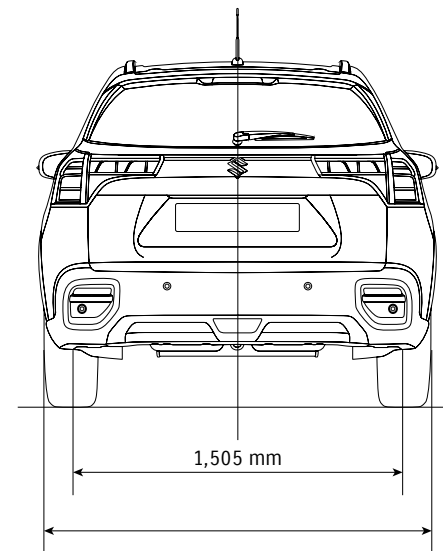
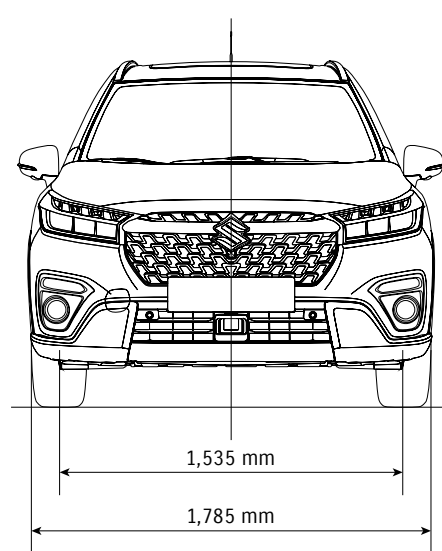
Speed (1-100 km/h)	12.7 seconds
--------------------	--------------

## CHASSIS

Suspension	Fr: Coil Spring & Damper with Anti-roll/ Stability Bar Rr: Coil Spring & Damper
------------	--

Brakes	Front - Ventilated Disc Rear - Solid Disc
--------	--

Tyres	215/55R17
-------	-----------





# EQUIPMENT

## SAFETY

---

- ABS with EBD and Brake Assist function
- ESP® (Electronic Stability Program)
- Hill hold control
- Tyre pressure monitoring system
- Dual Sensor Brake Support
- Lane Departure Warning & Prevention
- Weaving Alert
- Emergency stop signal
- Emergency flat tyre repair kit
- Driver & front passenger airbags w/ front passenger airbag deactivation system
- 2 x Side airbags (incorporated into front seats)
- 2 x Curtain airbags
- Driver knee airbag
- Front 3-point ELR seatbelts w/ pretensioner, force limiter
- 3 x Rear 3-point ELR seatbelts
- 2 x ISOFIX child seat anchorages
- 3 x Child seat tether anchorages
- Childproof rear door locks
- Immobiliser
- Remote central door locking

## STORAGE

---

- 4 x cup holders (2 x front, 2 x rear)
- 4 x bottle holders (2 x front door and 2 x rear door)
- Centre console box
- Glove Box
- Passenger side seat back pocket

## COMFORT & CONVENIENCE

---

- Keyless entry and start
- Front & rear parking sensors
- 360 view camera w/ reverse camera
- Adaptive Cruise Control w/ speed limiter
- Leather wrap steering wheel with multiple functions control
- Telescopic & tilt-adjustable steering wheel
- Gear shift paddles
- 4.2 inch colour LCD information display
- Front & Rear seatbelt reminder
- Electric front and rear windows
- 12V accessory socket (centre lower box & luggage area)
- Front & rear centre armrest
- Driver seat height adjuster
- 2-position reclining 60:40 foldable rear seats
- Dual-zone automatic air conditioning

## STYLING

---

- 17" alloy wheels (polished finish)
- Roof rails - aluminium finishing
- Chrome window sills
- Body colour exterior door handles & door mirrors
- Piano black front grille
- Leather wrap shift knob w/ silver accent
- Chrome interior door handles
- Silver A/C vent trims

## VISIBILITY

---

- Automatic LED headlamps (low and high beam)
- LED Daytime running lights
- Front & Rear fog lamps
- LED rear combination lamps
- Automatic front wiper, 2 speeds (low, high) w/ adjustable intermittent + washer
- Single speed w/ intermittent + washer rear wiper
- Electrically adjustable door mirrors
- Electrically folding door mirrors w/ built-in turn signal lamp

## ENTERTAINMENT & COMMUNICATION

---


- 9-inch infotainment display
- Bluetooth integrated into audio unit
- USB connector
- Smartphone link with Android Auto™ and Apple CarPlay®
- 4 x speakers, 2 x tweeters, front centre speaker





# SUZUKI SHOWROOM

10 Chang Charn Road #01-00,  
Link (THM) Building,  
Singapore 159639

 6631 1118

 [www.suzukicar.com.sg](http://www.suzukicar.com.sg)

 Suzuki.SG

 [suzukicarsg](https://www.instagram.com/suzukicarsg)

